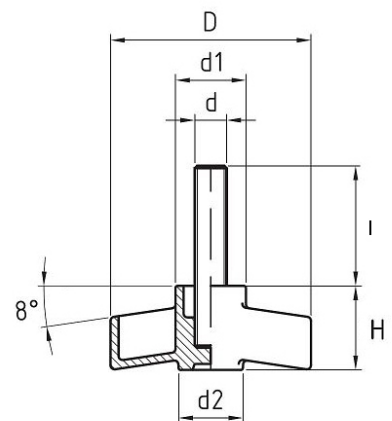


Galletto con Perno

Wing Nut Threaded Stud

Cod.	D	d	l	d1	d2	H	h1	Peso Weight gr	U.V.
B1GM300410	30	04MA	10	14	12	16	6	6,5	20
B1GM300420	30	04MA	20	14	12	16	6	7	20
B1GM300430	30	04MA	30	14	12	16	6	8,5	20
B1GM300440	30	04MA	40	14	12	16	6	9	20
B1GM300450	30	04MA	50	14	12	16	6	10	20
B1GM300510	30	05MA	10	14	12	16	6	7	20
B1GM300520	30	05MA	20	14	12	16	6	8	20
B1GM300530	30	05MA	30	14	12	16	6	9,5	20
B1GM300540	30	05MA	40	14	12	16	6	10	20
B1GM300550	30	05MA	50	14	12	16	6	11	20
B1GM300610	30	06MA	10	14	12	16	6	8,5	20
B1GM300615	30	06MA	15	14	12	16	6	9,5	20
B1GM300620	30	06MA	20	14	12	16	6	10,5	20
B1GM300630	30	06MA	30	14	12	16	6	12	20
B1GM300640	30	06MA	40	14	12	16	6	13	20
B1GM300650	30	06MA	50	14	12	16	6	14	20
B1GM300815	30	08MA	15	14	12	16	6	12	20
B1GM300820	30	08MA	20	14	12	16	6	14	20
B1GM300830	30	08MA	30	14	12	16	6	17	20
B1GM300840	30	08MA	40	14	12	16	6	19	20
B1GM300850	30	08MA	50	14	12	16	6	21	20
B1GM500510	50	05MA	10	18	16	22	10	13	20
B1GM500520	50	05MA	20	18	16	22	10	14	20
B1GM500530	50	05MA	30	18	16	22	10	15,5	20
B1GM500540	50	05MA	40	18	16	22	10	16	20
B1GM500550	50	05MA	50	18	16	22	10	17	20
B1GM500615	50	06MA	15	18	16	22	10	11	20
B1GM500620	50	06MA	20	18	16	22	10	13	20
B1GM500630	50	06MA	30	18	16	22	10	14,5	20
B1GM500640	50	06MA	40	18	16	22	10	16	20
B1GM500650	50	06MA	50	18	16	22	10	18	20
B1GM500815	50	08MA	15	18	16	22	10	20	20
B1GM500820	50	08MA	20	18	16	22	10	22	20
B1GM500830	50	08MA	30	18	16	22	10	25	20
B1GM500840	50	08MA	40	18	16	22	10	28	20
B1GM500850	50	08MA	50	18	16	22	10	31	20
B1GM501020	50	10MA	20	18	16	22	10	27,5	20
B1GM501030	50	10MA	30	18	16	22	10	29	20
B1GM501040	50	10MA	40	18	16	22	10	31	20
B1GM501050	50	10MA	50	18	16	22	10	34	20



Caratteristiche

Materiale Corpo:

Tecnopolimero rinforzato con fibre di vetro, di colore nero, resistente a solventi, oli, grassi (PA)

Parte Metallica e/o Fissaggio:

Perno Filettato in Acciaio Zincato

Product specification

Main Part Material:

Black fiberglass-reinforced technopolymer, resistant to solvents, oils, greases (PA)

Metal and/or Fastening part:

Zinc plated steel threaded stud