

XS55

Piede Snodato con Base e Stelo in Acciaio Inox AISI 304

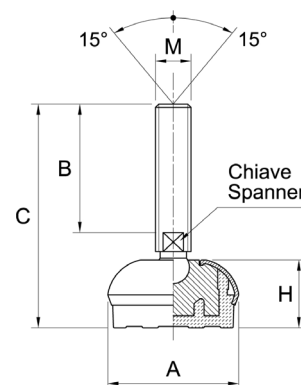
Articulated Foot with AISI 304 Stainless Steel Base and Stud

INOX
Stainless Steel

Cod.	A	M	B	C	H	Chiave Spanner	Carico Max Max Load daN	U.V.
A5XS55/08045	55	8MA	45	80	26	6	1100	8
A5XS55/08065	55	8MA	65	100	26	6	1100	8
A5XS55/08107	55	8MA	107	142	26	6	1100	8
A5XS55/10035	55	10MA	35	71	26	8	1200	8
A5XS55/10070	55	10MA	70	107	26	8	1200	8
A5XS55/10115	55	10MA	115	152	26	8	1200	8
A5XS55/12043	55	12MA	43	82	26	10	1300	8
A5XS55/12063	55	12MA	63	102	26	10	1300	8
A5XS55/12077	55	12MA	77	116	26	10	1300	8
A5XS55/12093	55	12MA	93	132	26	10	1300	8
A5XS55/12123	55	12MA	123	162	26	10	1300	8
A5XS55/14061	55	14MA	61	102	26	12	1400	8
A5XS55/14091	55	14MA	91	132	26	12	1400	8
A5XS55/14116	55	14MA	116	157	26	12	1400	8
A5XS55/16060	55	16MA	60	103	26	13	1500	8
A5XS55/16090	55	16MA	90	133	26	13	1500	8
A5XS55/16105	55	16MA	105	148	26	13	1500	8
A5XS55/16125	55	16MA	125	168	26	13	1500	8
A5XS55/16155	55	16MA	155	198	26	13	1500	8
A5XS55/16165	55	16MA	165	208	26	13	1500	8
A5XS55/16205	55	16MA	205	248	26	13	1500	8



Ø55



Caratteristiche

Materiale Base:

Anima interna in poliammide + FV;
rivestimento esterno in acciaio inox AISI 304; antivibrante in gomma termoplastica SEBS 55 shore colore nero.

Materiale Stelo: Acciaio inox AISI 304

Tipo Stelo: Snodato

Presentazione Prodotto:

Stelo fornito assemblato alla base

Note:

L'antivibrante costampato consente una perfetta aderenza con la base in acciaio. La conseguente assenza di cavità interne rende il piede estremamente sanificabile.

Product specification

Base Material:

Internal part made of reinforced polyamide;
external covering made of stainless steel AISI 304; anti-slip pad made of SEBS Rubber 55 shore black colour.

Spindle Material: Stainless steel AISI 304

Spindle Type: Articulated

Product Presentation:

Spindle supplied assembled to the base

Note:

The comoulded anti-slip rubber pad adheres perfectly to the steel base thus the absence of internal cavities makes the foot extremely easy to clean and sanitize.