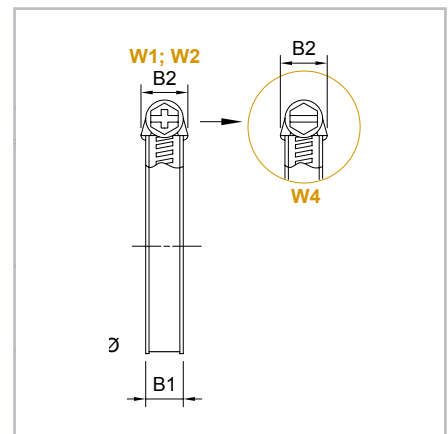
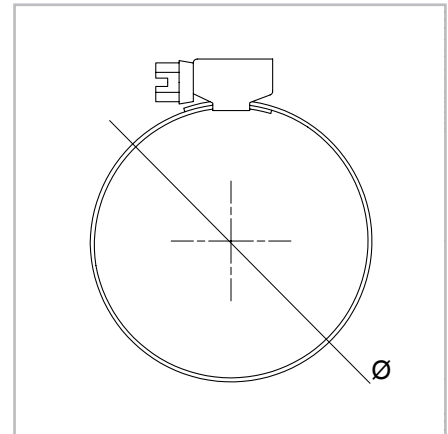


# FZ - F - FX

## Fascetta Stringitubo, Banda 9 mm

### Worm Drive Hose Clamp, Band 9 mm

| Cod. W1 | Cod. W2 | Cod. W4 | Ø min. mm | Ø max. mm | B1 mm | B2 mm     | Coppia di Serraggio<br>Safe Working Torque | U.V. |
|---------|---------|---------|-----------|-----------|-------|-----------|--|------|
| FZ008   | F008    | FX008   | 8         | 12        |       |           |  | 100  |
| FZ010   | F010    | FX010   | 10        | 16        |       |           |  | 100  |
| FZ012   | F012    | FX012   | 12        | 20        |       |           |  | 100  |
| -       | F013    | -       | 12        | 22        |       |           |  | 100  |
| FZ016   | F016    | FX016   | 16        | 27        |       |           |  | 100  |
| FZ020   | F020    | FX020   | 20        | 32        |       |           |  | 100  |
| FZ025   | F025    | FX025   | 25        | 40        |       |           |  | 100  |
| FZ030   | -       | -       | 30        | 45        |       |           |  | 100  |
| FZ032   | F032    | FX032   | 32        | 50        |       |           |  | 50   |
| FZ040   | F040    | FX040   | 40        | 60        |       |           |  | 50   |
| FZ050   | F050    | FX050   | 50        | 70        |       |           |  | 50   |
| FZ060   | F060    | FX060   | 60        | 80        |       | 12 (W1)   |  | 50   |
| FZ070   | F070    | FX070   | 70        | 90        |       |           |  | 25   |
| FZ080   | F080    | FX080   | 80        | 100       | 9     | 11,4 (W2) | 3 Nm                                       | 25   |
| FZ090   | F090    | FX090   | 90        | 110       |       |           |  | 25   |
| FZ100   | F100    | FX100   | 100       | 120       |       | 11,5 (W4) |  | 25   |
| FZ110   | F110    | FX110   | 110       | 130       |       |           |  | 25   |
| FZ120   | F120    | FX120   | 120       | 140       |       |           |  | 25   |
| FZ130   | F130    | FX130   | 130       | 150       |       |           |  | 25   |
| FZ140   | F140    | FX140   | 140       | 160       |       |           |  | 25   |
| FZ150   | F150    | FX150   | 150       | 170       |       |           |  | 25   |
| FZ160   | F160    | FX160   | 160       | 180       |       |           |  | 25   |
| FZ170   | F170    | FX170   | 170       | 190       |       |           |  | 25   |
| FZ180   | F180    | FX180   | 180       | 200       |       |           |  | 25   |
| FZ190   | F190    | FX190   | 190       | 210       |       |           |  | 25   |
| -       | F200    | FX200   | 200       | 220       |       |           |  | 25   |
| -       | F210    | FX210   | 210       | 230       |       |           |  | 25   |
| -       | -       | FX230   | 230       | 250       |       |           |  | 25   |



#### Caratteristiche

##### W1

Banda, cassetto e vite a croce (chiave 7) in acciaio zincato

##### W2

Banda e cassetto in acciaio inox AISI 430; vite a croce (chiave 7) in acciaio zincato

**INOX**  
Stainless Steel

##### W4

Banda, cassetto e vite a taglio (chiave 7) in acciaio inox AISI 304

Per agevolare l'avvitamento la vite viene immersa in un bagno di zincatura.

**INOX**  
Stainless Steel

#### Caratteristiche Banda:

Dente pieno, bordi rialzati ed arrotondati

#### Product specification

##### W1

Zinc plated band, carter and cross screw - spanner 7

##### W2

AISI 430 band and carter; zinc plated cross screw - spanner 7

**INOX**  
Stainless Steel

##### W4

AISI 304 band carter and slot screw - spanner 7

The screw had been galvanized to facilitate its tightening.

**INOX**  
Stainless Steel

#### Band Features:

Threaded band pressed and raised, rounded edges